



Digitized Automation for a Changing World

Delta Inductive Proximity Sensor ISE Series



www.deltaww.com



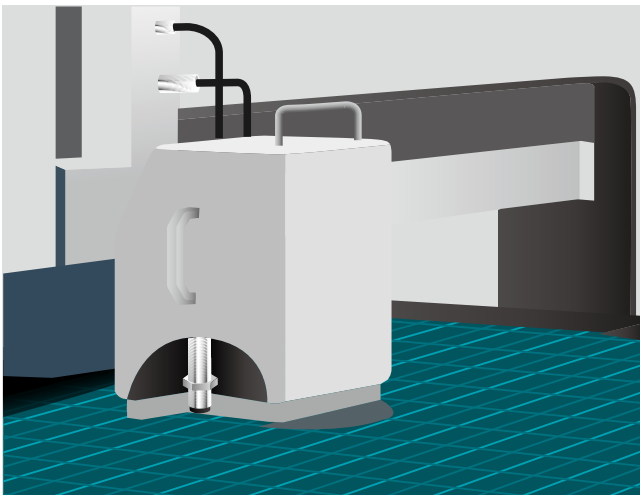
Inductive Proximity Sensor ISE

Senses magnetic substances for positioning, counting, and presence / absence detection, applicable to all industries

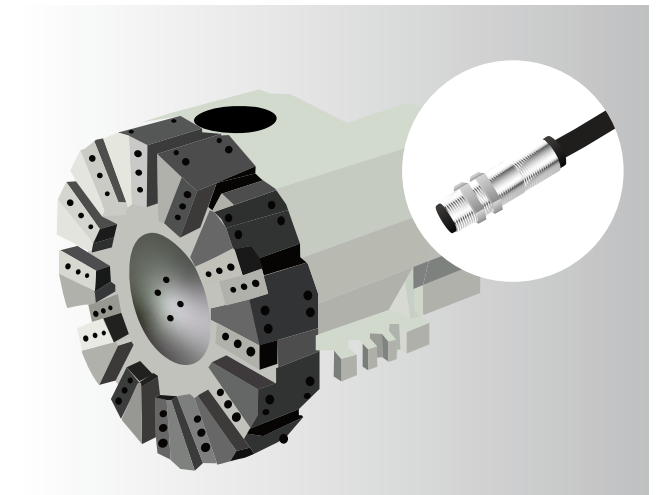
- Nickel coated brass / stainless steel
- Presence / absence detection of magnetic substance
- IP67
- CE certification
- Reverse voltage protection (RVP)



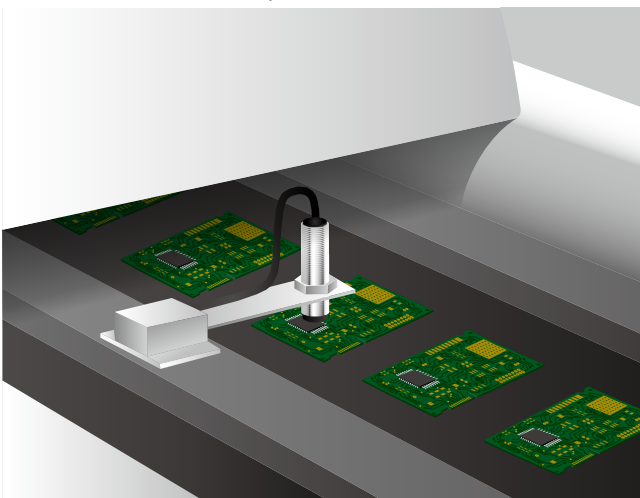
Applications



Vertical adjustment for high-speed mobile platform



Turret tool positioning



PCB solder inspection



Can-counting for the food industry

Cable Type Specifications

Standard Distance

Model	ISE-E0815-B__B2*	ISE-E1202-B__B2*	ISE-E1805-B__B2*	ISE-E3010-B__B2*	ISE-N0802-B__B2*	ISE-N1204-B__B2*	ISE-N1808-B__B2*	ISE-N3015-B__B2*
Type	Isolation				Non-isolation			
Size	M8	M12	M18	M30	M8	M12	M18	M30
Sensing Distance	1.5mm ± 10%	2mm ± 10%	5mm ± 10%	10mm ± 10%	2mm ± 10%	4mm ± 10%	8mm ± 10%	15mm ± 10%
Case Material	Stainless	Nickel coated brass			Stainless	Nickel coated brass		
Operating Voltage	12 ~ 24 V _{DC} ± 10%							
Residual Voltage	< 2.0V							
Consuming Current	< 10mA							
Max. Load Current	150mA							
Leakage Current	< 0.01mA							
Response Frequency	2KHz	1KHz		300Hz	1KHz	800Hz	500Hz	150Hz
Repeatability	< 10% (Sr)							
Hysteresis	< 15% (Sr)							
Sensing Surface	PBT							
Operating Temperature	- 25 ~ + 75 °C							
Circuit Protection	Short-circuit protection							
Rating	IP67							

* Note: Customers can choose from NPN normal open: NO, NPN normal close: NC, PNP normal open: PO, PNP normal close: PC, depending on the requirements

Extended Distance

Model	ISE-E0802-B__B2*	ISE-E1204-B__B2*	ISE-E1808-B__B2*	ISE-E3016-B__B2*	ISE-N0804-B__B2*	ISE-N1208-B__B2*	ISE-N1816-B__B2*	ISE-N3025-B__B2*
Type	Isolation				Non-isolation			
Size	M8	M12	M18	M30	M8	M12	M18	M30
Sensing Distance	2mm ± 10%	4mm ± 10%	8mm ± 10%	16mm ± 10%	4mm ± 10%	8mm ± 10%	16mm ± 10%	25mm ± 10%
Case Material	Stainless	Nickel coated brass			Stainless	Nickel coated brass		
Operating Voltage	12 ~ 24 V _{DC} ± 10%							
Residual Voltage	< 2.0V							
Consuming Current	< 10mA							
Max. Load Current	150mA							
Leakage Current	< 0.01mA							
Response Frequency	1KHz	800Hz	500Hz	150Hz	800Hz	500Hz	150Hz	100Hz
Repeatability	< 10% (Sr)							
Hysteresis	< 15% (Sr)							
Sensing Surface	PBT							
Operating Temperature	- 25 ~ + 75 °C							
Circuit Protection	Short-circuit protection							
Rating	IP67							

* Note: Customers can choose from NPN normal open: NO, NPN normal close: NC, PNP normal open: PO, PNP normal close: PC, depending on the requirements

** Note: The sensing side of the ISE-E1808-B__B2 requires a 1mm reveal from the hexagon nut while mounting

Connector Type Specifications

Standard Distance

Model	ISE-E0815-B__BA*	ISE-E1202-B__BC*	ISE-E1805-B__BC*	ISE-E3010-B__BC*	ISE-N0802-B__BA*	ISE-N1204-B__BC*	ISE-N1808-B__BC*	ISE-N3015-B__BC*
Mounting	Isolation				Non-isolation			
Size	M8	M12	M18	M30	M8	M12	M18	M30
Sensing Distance	1.5 mm ± 10 %	2 mm ± 10 %	5 mm ± 10 %	10 mm ± 10 %	2 mm ± 10 %	4 mm ± 10 %	8 mm ± 10 %	15 mm ± 10 %
Case Material	Stainless	Nickel coated brass			Stainless	Nickel coated brass		
Operating Voltage	12 ~ 24 V _{DC} ± 10 %							
Residual Voltage	< 1.5 V							
Consuming Current	< 10 mA							
Max. Load Current	150 mA							
Leakage Current	< 0.01 mA							
Response Frequency	2 KHz		1 KHz	300 Hz	2 KHz	1 KHz	500 Hz	150 Hz
Repeatability	< 10 % (Sr)							
Hysteresis	< 15 % (Sr)							
Sensing Surface	PBT							
Operating Temperature	- 25 ~ + 75 °C							
Circuit Protection	Short-circuit protection							
Rating	IP67							

* **Note:** Customers can choose from NPN normal open: NO, NPN normal close: NC, PNP normal open: PO, PNP normal close: PC, depending on the requirements

Extended Distance

Model	ISE-E0802-B__BA*	ISE-E1204-B__BC*	ISE-E1808-B__BC*	ISE-E3016-B__BC*	ISE-N0804-B__BA*	ISE-N1208-B__BC*	ISE-N1816-B__BC*	ISE-N3025-B__BC*
Mounting	Isolation				Non-isolation			
Size	M8	M12	M18	M30	M8	M12	M18	M30
Sensing Distance	2 mm ± 10 %	4 mm ± 10 %	8 mm ± 10 %	16 mm ± 10 %	4 mm ± 10 %	8 mm ± 10 %	16 mm ± 10 %	25 mm ± 10 %
Case Material	Stainless	Nickel coated brass			Stainless	Nickel coated brass		
Operating Voltage	12 ~ 24 V _{DC} ± 10 %							
Residual Voltage	< 1.5 V							
Consuming Current	< 10 mA							
Max. Load Current	150 mA							
Leakage Current	< 0.01 mA							
Response Frequency	2 KHz	1 KHz		500 Hz	1 KHz	500 Hz	150 Hz	100 Hz
Repeatability	< 10 % (Sr)							
Hysteresis	< 15 % (Sr)							
Sensing Surface	PBT							
Operating Temperature	- 25 ~ + 75 °C							
Circuit Protection	Short-circuit protection							
Rating	IP67							

* **Note:** Customers can choose from NPN normal open: NO, NPN normal close: NC, PNP normal open: PO, PNP normal close: PC, depending on the requirements

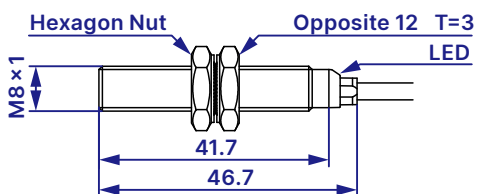
** **Note:** The sensing side of the ISE-E1808-B__BC requires a 1mm reveal from the hexagon nut while mounting

Dimensions: Cable Type (Standard / Extended Distance)

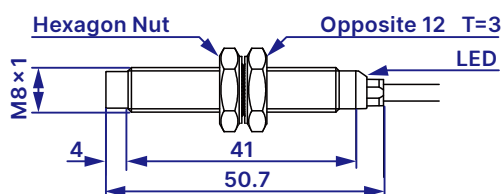
Unit: mm

M8

ISE-E0815-B__B2 /
ISE-E0802-B__B2

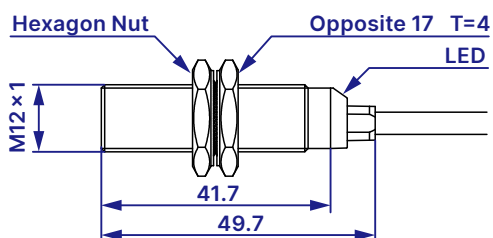


ISE-N0802-B__B2 /
ISE-N0804-B__B2

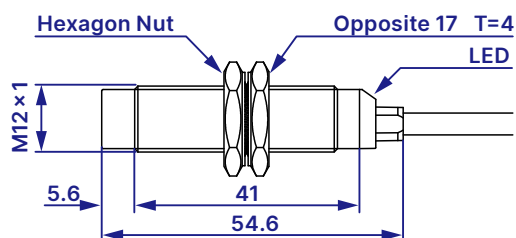


M12

ISE-E1202-B__B2 /
ISE-E1204-B__B2

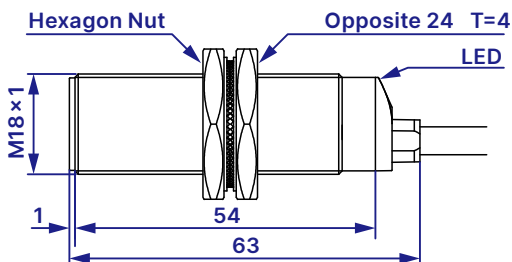


ISE-N1204-B__B2 /
ISE-N1208-B__B2

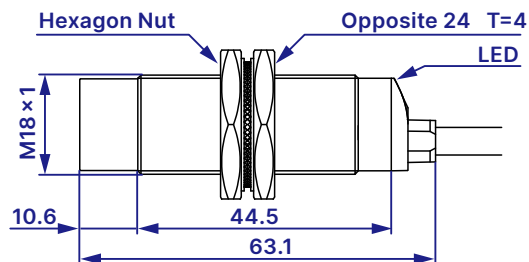


M18

ISE-E1805-B__B2 /
ISE-E1808-B__B2

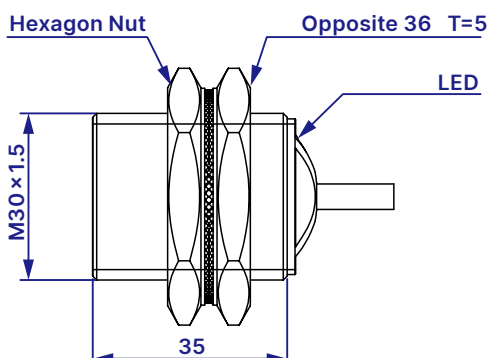


ISE-N1808-B__B2 /
ISE-N1816-B__B2

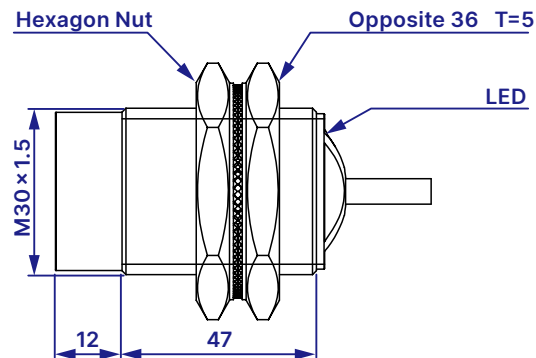


M30

ISE-E3010-B__B2 /
ISE-E3016-B__B2



ISE-N3015-B__B2 /
ISE-N3025-B__B2

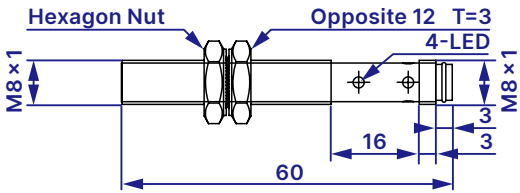


Dimensions: Connector Type

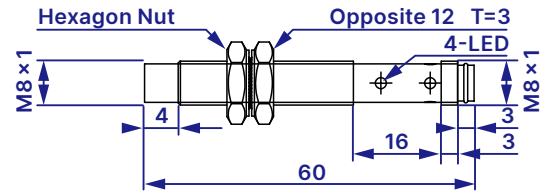
Unit: mm

M8

ISE-E0815-B__BA /
ISE-E0802-B__BA

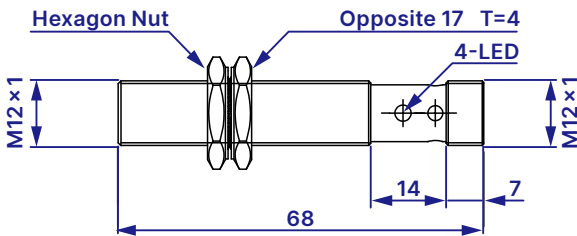


ISE-N0802-B__BA /
ISE-N0804-B__BA

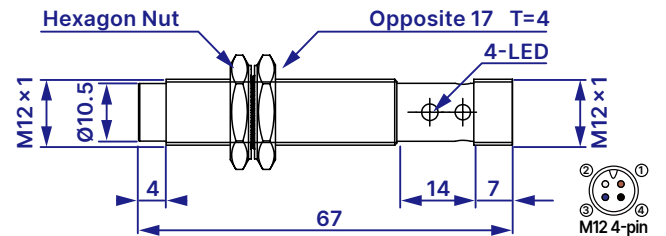


M12

ISE-E1202-B__BC /
ISE-E1204-B__BC

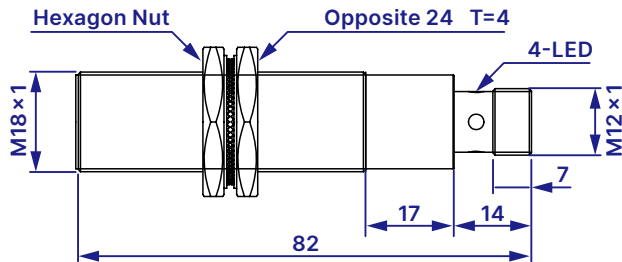


ISE-N1204-B__BC

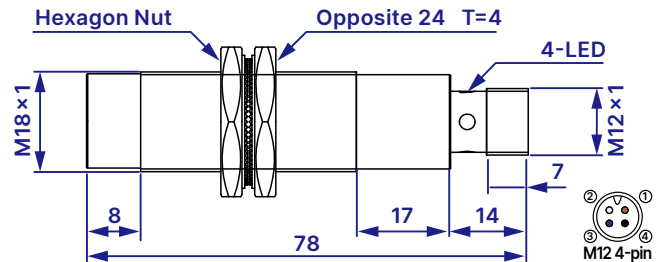


M18

ISE-E1805-B__BC /
ISE-E1808-B__BC

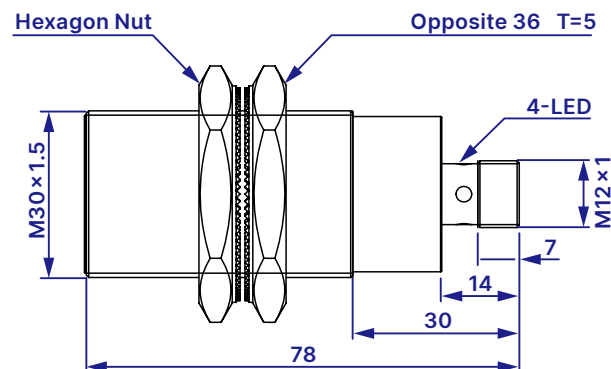


ISE-N1808-B__BC

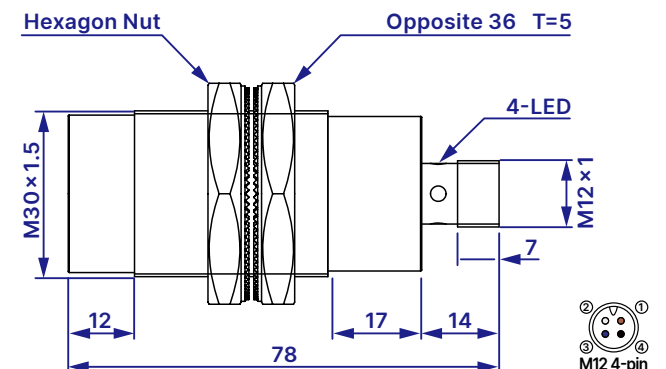


M30

ISE-E3010-B__BC /
ISE-E3016-B__BC

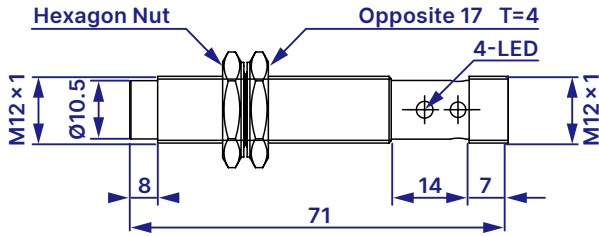


ISE-N3015-B__BC



M12

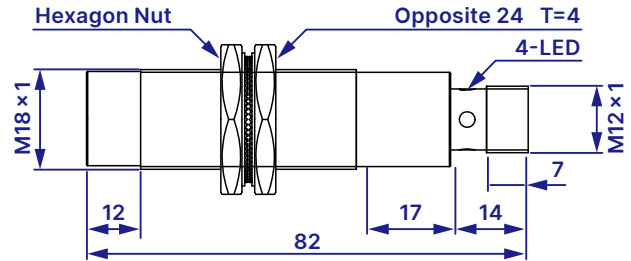
ISE-N1208-B__BC



M18

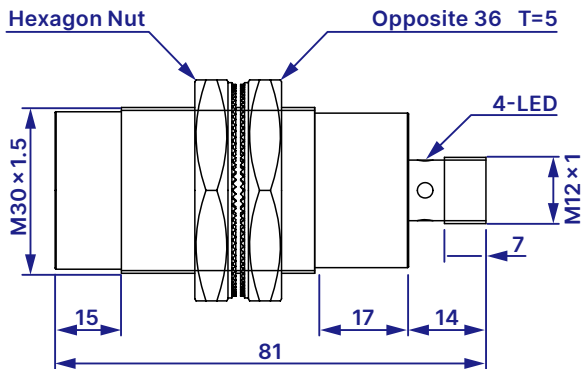
ISE-N1816-B__BC

Unit: mm



M30

ISE-N3025-B__BC



Ordering Information

ISE - N0802 - B NO B2

Product Name _____
Inductive Proximity Sensor

Mounting _____
N: Non-isolation
E: Isolation

Diameter Size _____
08: 8 mm 18: 18 mm
12: 12 mm 30: 30 mm

Type
B2: 2 m Cable
BA: M8 3Pin Connector
BC: M12 4Pin Connector

Output
NO: NPN N/O PO: PNP N/O
NC: NPN N/C PC: PNP N/C

Sensing Distance
02: 2 mm 08: 8 mm 16: 16 mm
04: 4 mm 10: 10 mm 25: 25 mm
05: 5 mm 15: 1.5 mm (M8) or 15 mm



Smarter. Greener. Together.

Industrial Automation Headquarters

Taiwan: Delta Electronics, Inc.

Taoyuan Technology Center
No.18, Xinglong Rd., Taoyuan District,
Taoyuan City 33068, Taiwan
TEL: +886-3-362-6301 / FAX: +886-3-371-6301

Asia

China: Delta Electronics (Shanghai) Co., Ltd.

No.182 Minyu Rd., Pudong Shanghai, P.R.C.
Post code : 201209
TEL: +86-21-6872-3988 / FAX: +86-21-6872-3996
Customer Service: 400-820-9595

Japan: Delta Electronics (Japan), Inc.

Industrial Automation Sales Department
2-1-14 Shibadaimon, Minato-ku
Tokyo, Japan 105-0012
TEL: +81-3-5733-1155 / FAX: +81-3-5733-1255

Korea: Delta Electronics (Korea), Inc.

1511, 219, Gasan Digital 1-Ro., Geumcheon-gu,
Seoul, 08501 South Korea
TEL: +82-2-515-5305 / FAX: +82-2-515-5302

Singapore: Delta Energy Systems (Singapore) Pte Ltd.

4 Kaki Bukit Avenue 1, #05-04, Singapore 417939
TEL: +65-6747-5155 / FAX: +65-6744-9228

India: Delta Electronics (India) Pvt. Ltd.

Plot No.43, Sector 35, HSIIDC Gurgaon,
PIN 122001, Haryana, India
TEL: +91-124-4874900 / FAX: +91-124-4874945

Thailand: Delta Electronics (Thailand) PCL.

909 Soi 9, Moo 4, Bangpoo Industrial Estate (E.P.Z),
Pattana 1 Rd., T.Phraksa, A.Muang,
Samutprakarn 10280, Thailand
TEL: +66-2709-2800 / FAX: +66-2709-2827

Australia: Delta Electronics (Australia) Pty Ltd.

Unit 2, Building A, 18-24 Ricketts Road,
Mount Waverley, Victoria 3149 Australia
Mail: IA.au@deltaww.com
TEL: +61-1300-335-823 / +61-3-9543-3720

Americas

USA: Delta Electronics (Americas) Ltd.

5101 Davis Drive, Research Triangle Park, NC 27709, U.S.A.
TEL: +1-919-767-3813 / FAX: +1-919-767-3969

Brazil: Delta Electronics Brazil Ltd.

Estrada Velha Rio-São Paulo, 5300 Eugênio de
Melo - São José dos Campos CEP: 12247-004 - SP - Brazil
TEL: +55-12-3932-2300 / FAX: +55-12-3932-237

Mexico: Delta Electronics International Mexico S.A. de C.V.

Gustavo Baz No. 309 Edificio E PB 103
Colonia La Loma, CP 54060
Tlalnepantla, Estado de México
TEL: +52-55-3603-9200

EMEA

EMEA Headquarters: Delta Electronics (Netherlands) B.V.

Sales: Sales.IA.EMEA@deltaww.com
Marketing: Marketing.IA.EMEA@deltaww.com
Technical Support: iatechnicalsupport@deltaww.com
Customer Support: Customer-Support@deltaww.com
Service: Service.IA.emea@deltaww.com
TEL: +31(0)40 800 3900

BENELUX: Delta Electronics (Netherlands) B.V.

Automotive Campus 260, 5708 JZ Helmond, The Netherlands
Mail: Sales.IA.Benelux@deltaww.com
TEL: +31(0)40 800 3900

DACH: Delta Electronics (Netherlands) B.V.

Coesterweg 45, D-59494 Soest, Germany
Mail: Sales.IA.DACH@deltaww.com
TEL: +49(0)2921 987 0

France: Delta Electronics (France) S.A.

ZI du bois Challand 2, 15 rue des Pyrénées,
Lisses, 91090 Evry Cedex, France
Mail: Sales.IA.FR@deltaww.com
TEL: +33(0)1 69 77 82 60

Iberia: Delta Electronics Solutions (Spain) S.L.U

Ctra. De Villaverde a Vallecas, 265 1º Dcha Ed.
Hormigueras – P.I. de Vallecas 28031 Madrid
TEL: +34(0)91 223 74 20

Carrer Llacuna 166, 08018 Barcelona, Spain

Mail: Sales.IA.Iberia@deltaww.com

Italy: Delta Electronics (Italy) S.r.l.

Via Meda 2-22060 Novedrate(CO)
Piazza Grazioli 18 00186 Roma Italy
Mail: Sales.IA.Italy@deltaww.com
TEL: +39 039 8900365

Russia: Delta Energy System LLC

Vereyskaya Plaza II, office 112 Vereyskaya str.
17 121357 Moscow Russia
Mail: Sales.IA.RU@deltaww.com
TEL: +7 495 644 3240

Turkey: Delta Greentech Elektronik San. Ltd. Sti. (Turkey)

Şerifali Mah. Hendem Cad. Kule Sok. No:16-A
34775 Ümraniye – İstanbul
Mail: Sales.IA.Turkey@deltaww.com
TEL: + 90 216 499 9910

MEA: Eltek Dubai (Eltek MEA DMCC)

OFFICE 2504, 25th Floor, Saba Tower 1,
Jumeirah Lakes Towers, Dubai, UAE
Mail: Sales.IA.MEA@deltaww.com
TEL: +971(0)4 2690148

*We reserve the right to change the information in this catalogue without prior notice.